

# Franke Little Butler

## Valve Replacement Procedure

Hot and Cold Water Dispensing Systems, Model Series LB1000 & LB2000

Unscrew the Collar (1) while pushing down on the lever.

Remove the collar (1), lever (2) thrust washer (3) and lever carrier (4). Note orientation of carrier (Gap 2a) so that it goes back in same position.

With a 14mm ring wrench, unscrew the valve cover (7) in a counterclockwise direction. Remove complete with piston (5) and spring (6).

Remove the seating (9) from the inner cavity by pushing a crosshead screwdriver down the centre and pulling out, taking care not to damage internal surfaces of body. **IT IS ESSENTIAL THAT THE SEATING IS REPLACED WITH A NEW ONE.**

Insert by hand new seating (9) in body.

Assemble the 'O' ring (8) on top of the seating.

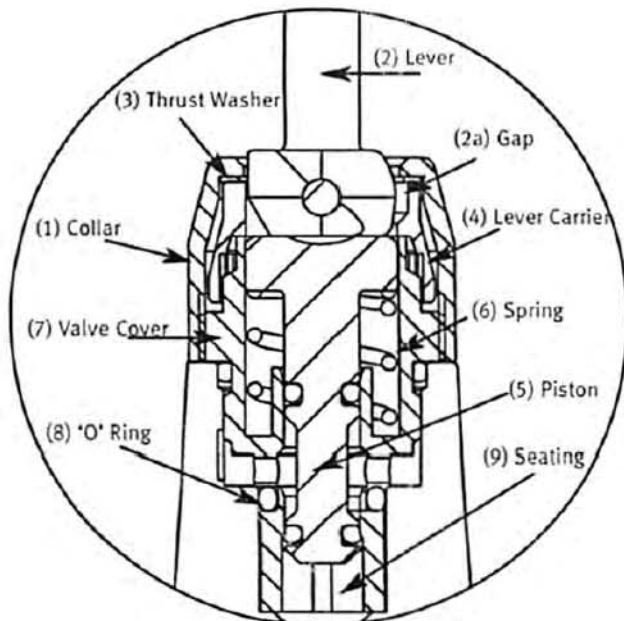
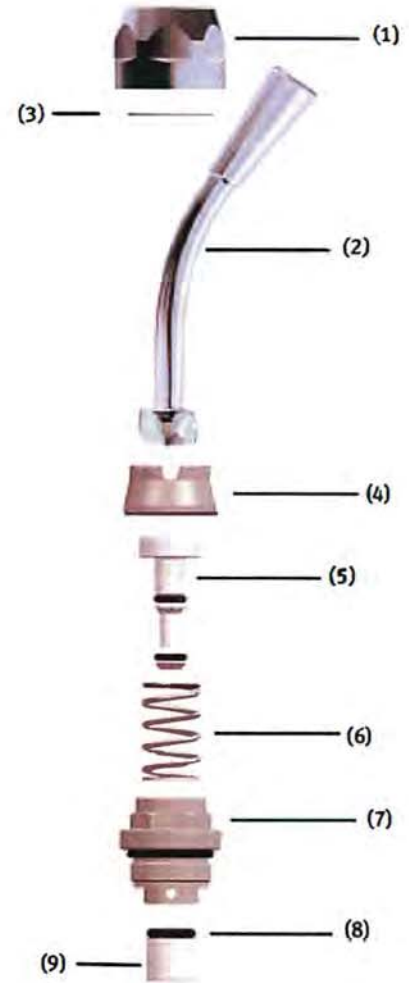
Fit the valve cover (7) complete with piston (5) and spring (6) into body.

Note: The piston For **HOT** valves has a flat top. For **COLD** valves the piston has an indented top.

Assemble lever (2) onto lever carrier (4), ensuring that the front of the lever is aligned with the gap (2a) in the lever carrier, and set carrier on valve cover (7) to desired position of lever.

If lever does not align correctly, remove lever carrier, and rotate until correct alignment is achieved.

Replace collar (1) and thrust washer (3) and tighten while holding the lever (2) down against the spring.



Franke Little Butler parts available at:

