

► **Code Number**

3082653

► **Description**

Exposed Urinal Flushometer, for ¾" top spud urinals.

► **Flush Cycle**

3.5 gpf/13.2 lpf

► **Specifications**

Quiet, Exposed, Diaphragm Type, Chrome Plated Urinal Flushometer with the following features:

- ADA Compliant Metal Oscillating Non-Hold-Open Handle
- Control Stop Plug
- Sweat Solder Adapter with Cover Tube
- Cast Wall Flange with Set Screw
- Vacuum Breaker Flush Connection
- Spud Coupling Wall and Spud Flange for ¾" Top Spud
- Non-Hold-Open Handle and No External Volume Adjustment to Ensure Water Conservation
- Low Consumption flush accuracy controlled by Para-Flo™ Technology
- Diaphragm, Handle Packing and Vacuum Breaker Molded from PERMEX® Rubber Compound for Chloramine Resistance

Valve Body, Cover, Tailpiece and Control Stop shall be in conformance with ASTM Alloy Classification for Red Brass. Valve shall be in compliance to the applicable sections of ASSE 1037 and ANSI/ASME 112.19.2.

- ¾" I.P.S. Wheel Handle Bak-Chek® Angle Stop

► **Accessories (Sold Separately)**

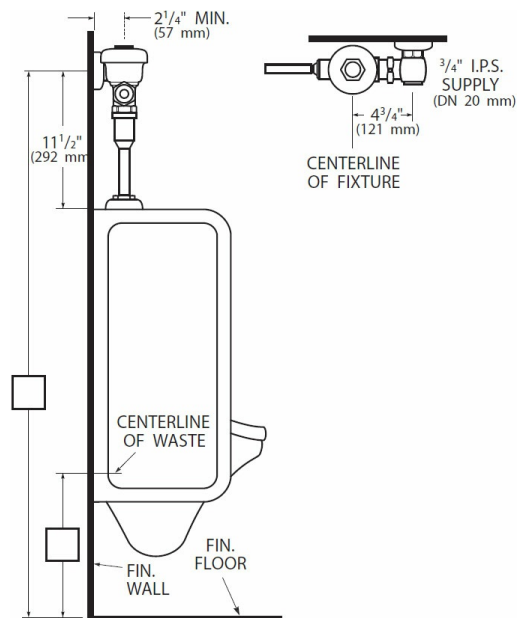
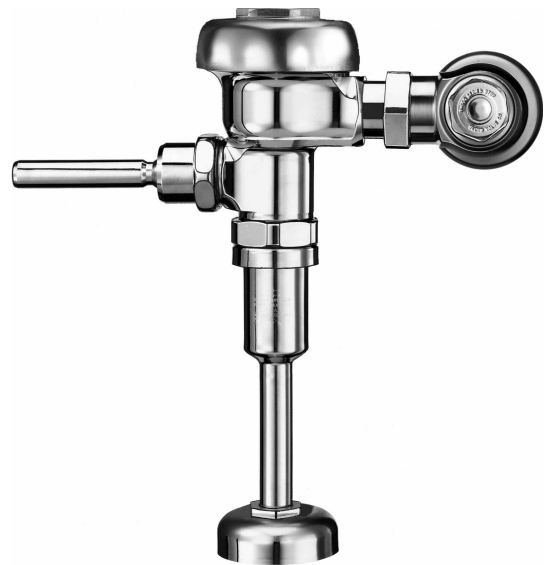
See Accessories Section of the Sloan catalog for available accessories

► **Fixtures**

Consult factory for matching Sloan brand fixture options.

► **Product Number**

186-1.5



► **Disclaimer**

All information contained within this document subject to change without notice.

► **Compliance & Certifications**



This space for Architect/Engineer Approval